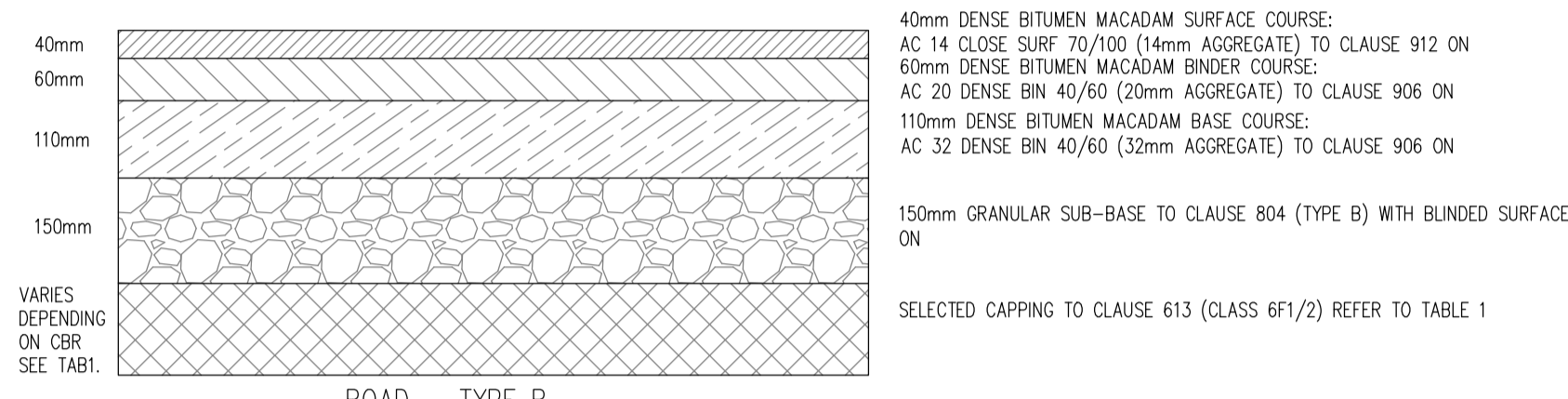
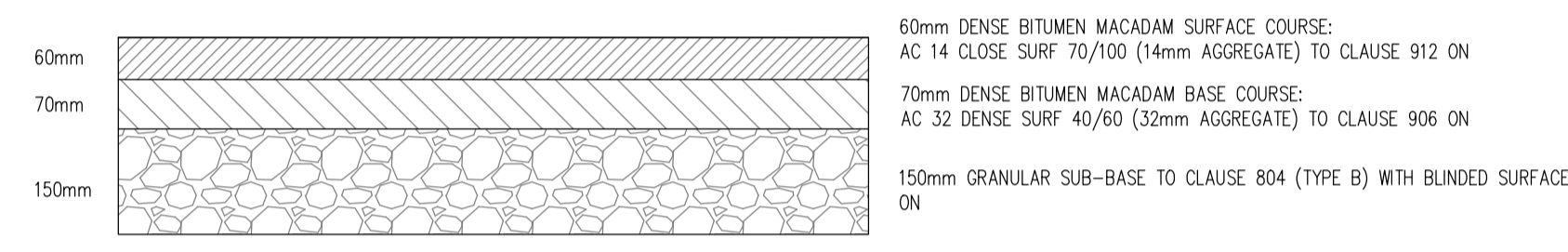


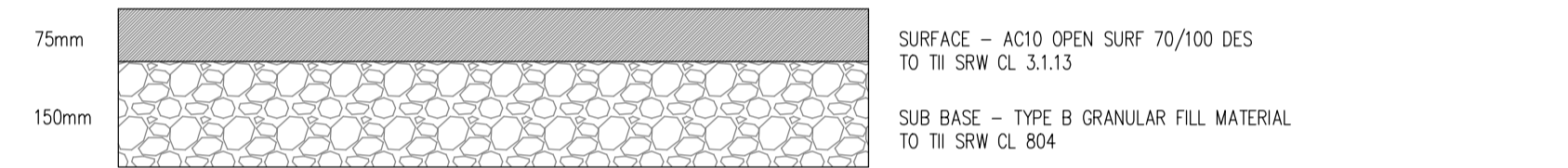
ROAD - TYPE A



ROAD - TYPE B



BUS ROUTE ON SLAB



TYPICAL BITUMINUS CYCLEPATH CONSTRUCTION

NOTES:

- FOR AREAS WHERE CBR VALUE IS BELOW 2%, CARRY OUT THE FOLLOWING:
- THE SOFT AREA IS TO BE EXCAVATED OUT FULLY AND REPLACED WITH A GENERAL FILL MATERIAL (CLASS 1A/1B) TO TII SPECIFICATION TO THE UNDERSIDE OF A GEOGRID LAYER (ENKAGRID TC 40 OR SIMILAR 40kN/m). SEPARATION GEOTEXTILE TO BE PLACED BETWEEN THE SUBGRADE AND CAPPING.
AN ENGINEER SHOULD INSPECT THE SOFT AREA WHEN IT HAS BEEN FULLY EXCAVATED OUT PRIOR TO THE FILL /STABILISED MATERIAL BEING PLACED/WORKED.
- FOR AREAS WHERE CBR VALUES ARE BETWEEN 2% AND 5%, CARRY OUT THE FOLLOWING:
- THE SOIL IS TO BE EXCAVATED OUT FULLY AND REPLACED WITH A CAPPING MATERIAL TYPE 6F1/6F2 TO TII SPECIFICATIONS. DEPTHS OF CAPPING MATERIAL AS PER TABLE 1. SEPARATION GEOTEXTILE TO BE PLACED BETWEEN THE SUBGRADE AND CAPPING.

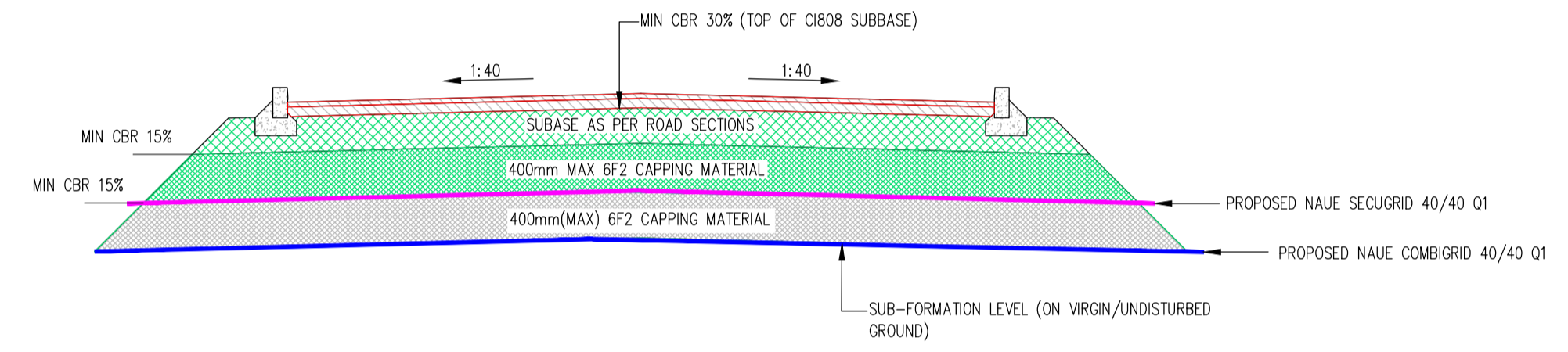
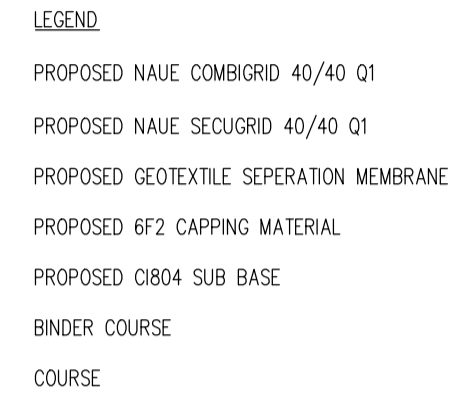
TABLE 1
FLEXIBLE PAVEMENT

THE MINIMUM REQUIRED THICKNESS OF NON-FROST SUSCEPTIBLE CAPPING MATERIAL IS SHOWN HEREUNDER:-

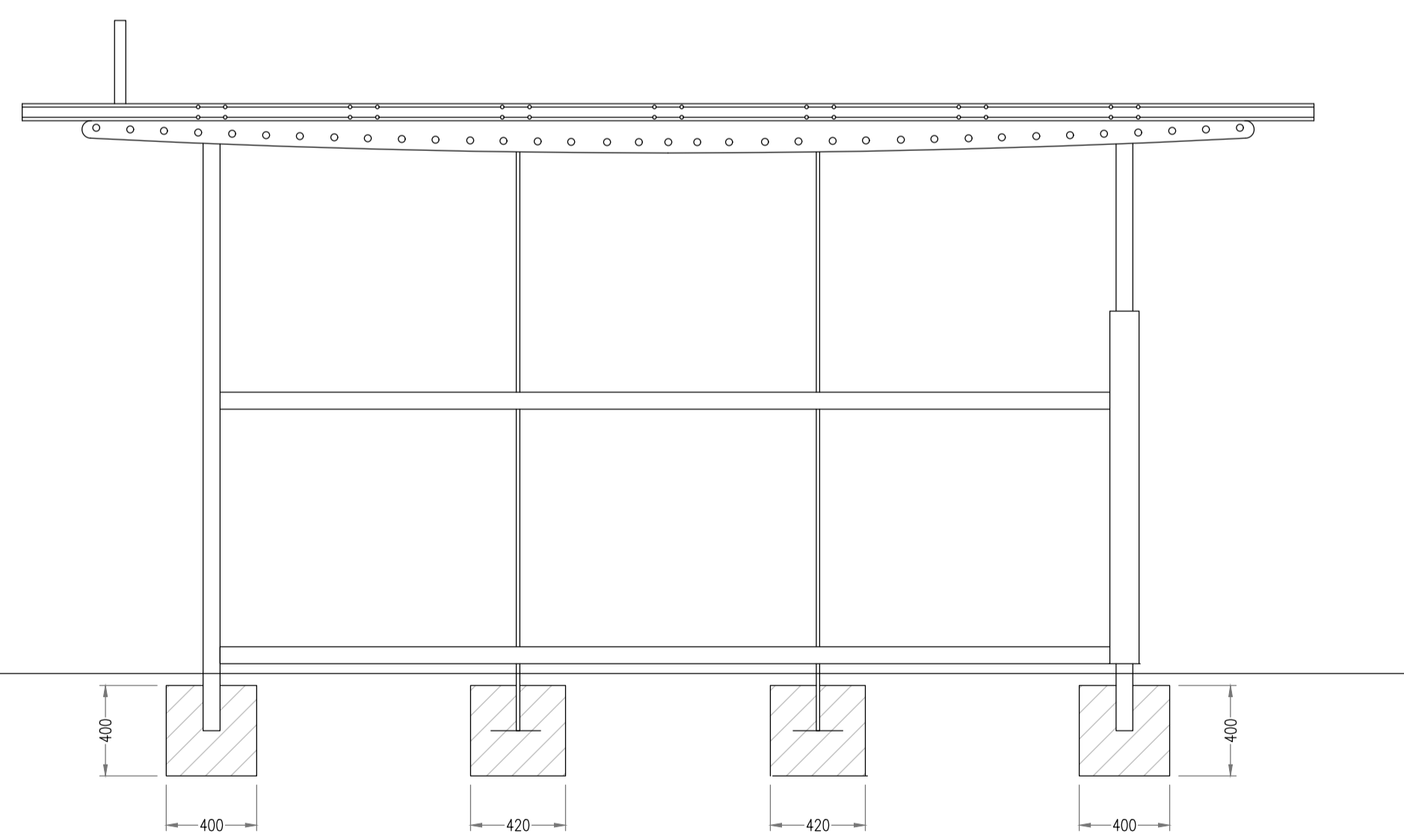
CBR SUBGRADE %	BELOW 2	2 - 5	5 - 15	15+
THICKNESS OF CAPPING(mm)	DESIGN	300	150	NO CAPPING

CBR TESTS SHALL BE CARRIED OUT AT A RATE OF ONE TEST PER 100 METERS OF ROAD
ALL ROADS DESIGNED IN ACCORDANCE WITH THE RECOMMENDATIONS FOR SITE DEVELOPMENT WORKS AND WITH REFERENCE TO THE DESIGN MANUAL FOR URBAN ROADS AND STREETS

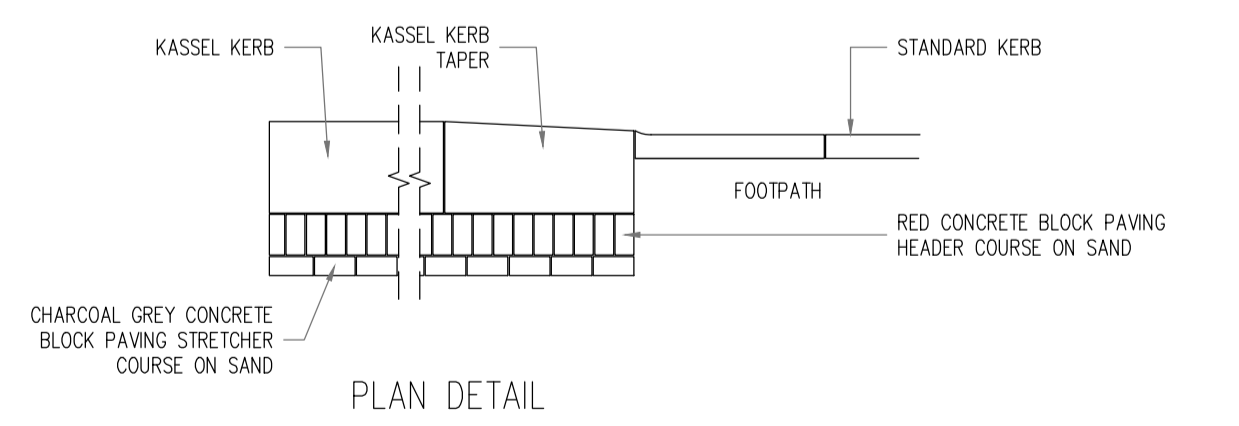
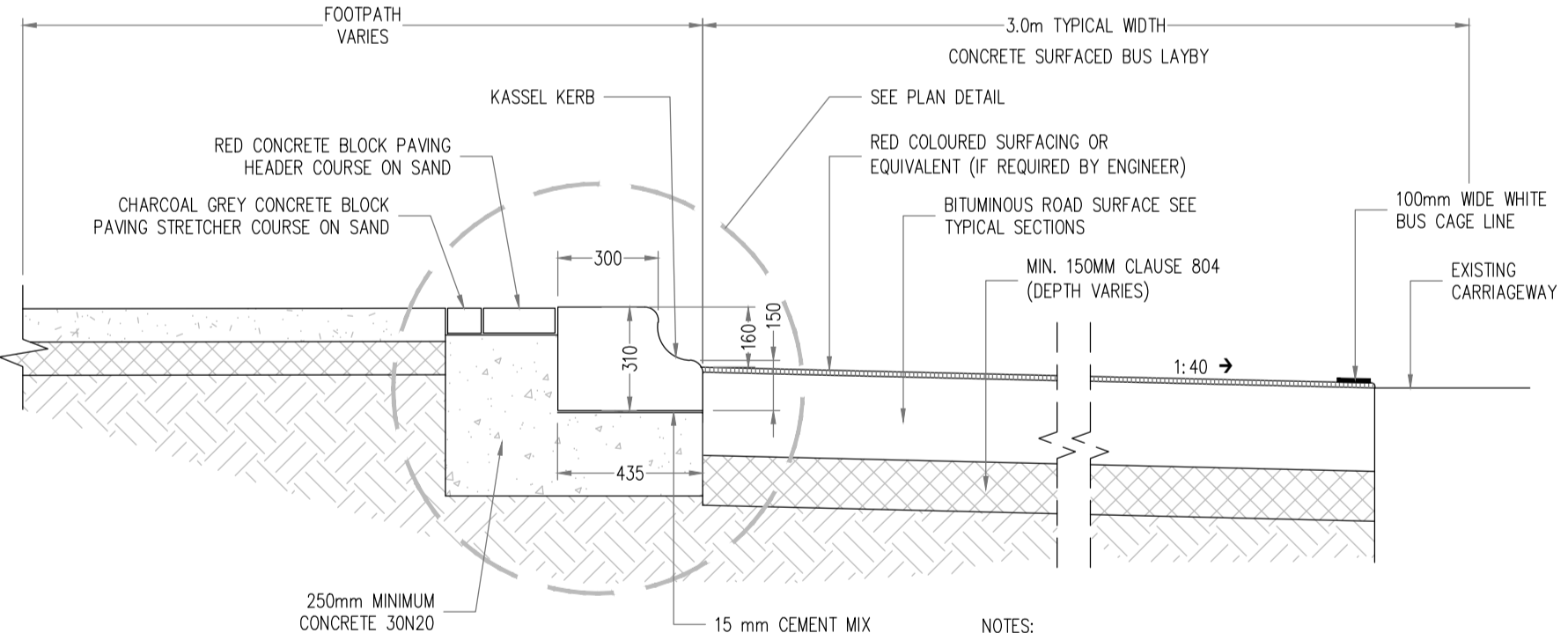
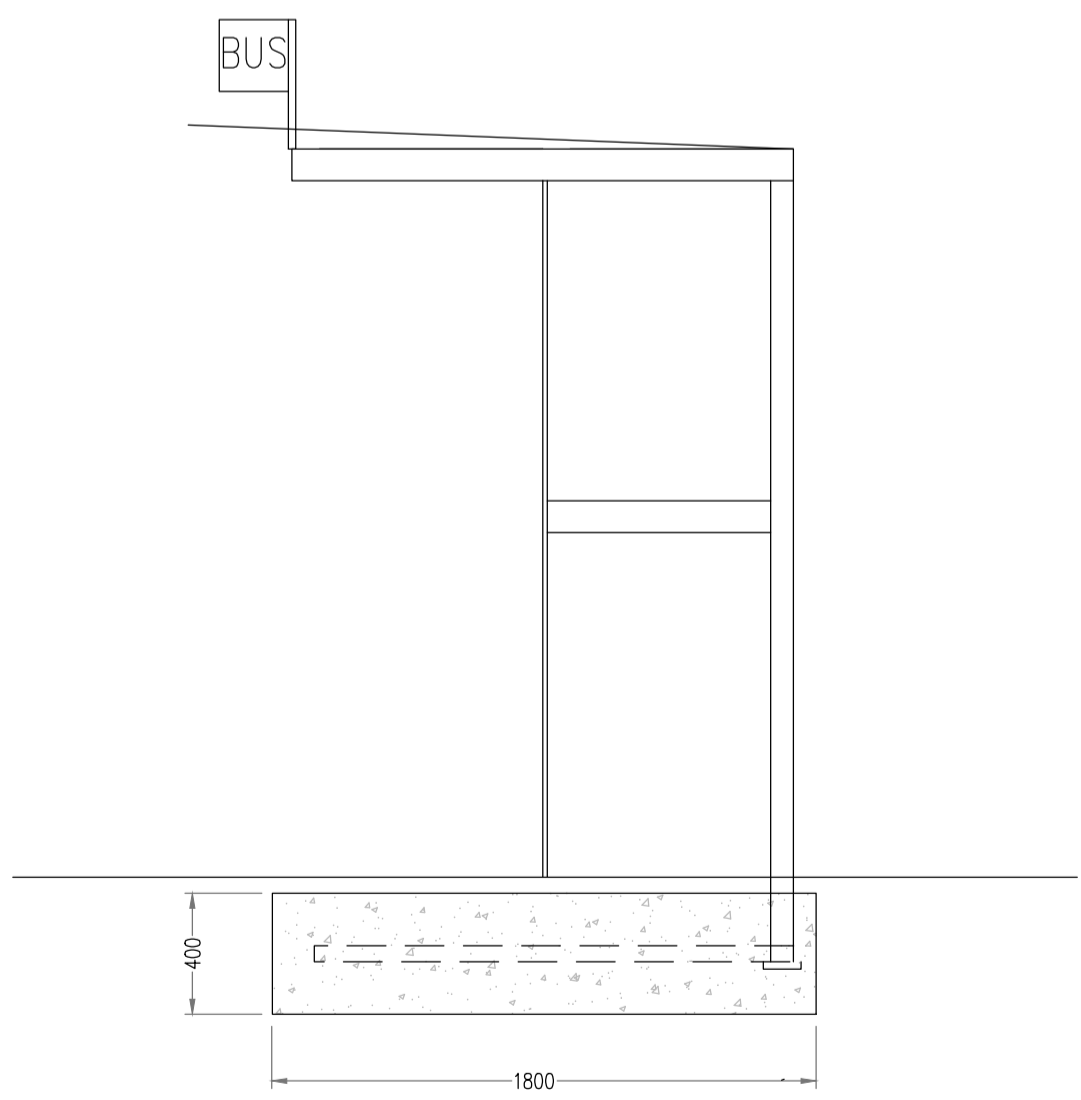
- GEOGRID TO BE INSTALLED AS PER THE MANUFACTURERS REQUIREMENTS.
- MIN CBR VALUES TO BE ACHIEVED:
15% TOP OF CAPPING LAYERS
30% TOP OF C804 SUB BASE LAYERS.
- GEOTEXTILE SEPERATION MEMBRANE TO BE INSTALLED AT SUB-FORMATION LEVEL. THE PROPOSED MATERIAL SHALL BE MANUFACTURED FROM SYNTHETIC MEMBRANE THERMALLY BONDED OR SIMILAR TYPE APPROVED BY ENGINEER.



ROADS WITH SIGNIFICANT ROAD BUILD UP SEQUENCE AND TESTING
SCALE: 1:50



BUS SHELTER.
SCALE= 1:25



TYPICAL BUS STOP LAYBY AND FOOTPATH CONSTRUCTION WITH KASSEL KERB
SCALE: N.T.S

- NOTES:**
- ALL DIMENSIONS ARE IN MILLIMETRES UNLESS SHOWN
 - SUBBASE MATERIAL SHALL COMPLY WITH CLAUSE 804. MATERIAL TO CLAUSE 804 SHALL COMPLY WITH MINIMUM CBR REQUIREMENTS AS PER TII SPECIFICATIONS.
 - KERBS SHALL BE LAID IN ACCORDANCE WITH CLAUSE 101. FOR ACTUAL KERB TYPES SEE LAYOUT DRAWINGS.
 - KASSEL KERBS TO BE DRY BUTT JOINTED.
 - JOINTS SHALL BE PROVIDED AROUND MANHOLE AND OTHER COVERS WITHIN AREA.
 - ALL CLAUSE REFERENCES RELATE TO VOLUME 1 SPECIFICATION FOR ROAD WORKS (TII).
 - THERE SHALL BE A 1m LONG KASSEL KERB TAPER PIECE AT EACH END OF THE KASSEL KERB.

PLANNING DRAWING.
NOT FOR CONSTRUCTION.
ALL LEVELS GIVEN ARE RELATIVE TO ORDNANCE DATUM.
THIS DRAWING HAS BEEN ISSUED FOR INFORMATION PURPOSES ONLY AND MUST NOT BE USED FOR CONSTRUCTION UNDER ANY CIRCUMSTANCES

NOTES

- For setting out refer to Architect's drawings.
- This drawing to be read in conjunction with all other Architectural and Engineering drawings and all other relevant drawings and Specifications.
- DO NOT SCALE THIS DRAWING. Use figured dimensions only.
- No part of this document may be reproduced or transmitted in any form or stored in any retrieval system of any nature without the written permission as copyright holder except as agreed for use on the project for which the document was originally issued.
- Ordnance Survey Ireland Licence Number EN 0074021

Rev.No.	Date	REVISION NOTE	Drn. By	Chkd. By

Architect	Henry J. Lyons	
Project	GA03 Project Shoreline, Baldoye.	
Title	ROAD CONSTRUCTION DETAILS SHEET 2 OF 2	
Dwg. No.	BD-CSC-ZG-G3-DR-C-0122	
Date	13.10.2020	
Drn. by	JS	
Chkd. by	NB	
Aprvd. by	OS	
Scale	AS SHOWN @A1	
Revision		

CS Consulting Group
DUBLIN | LONDON | LIMERICK

Head Office
19-22 Dame Street, Dublin 2.
T: +353 (0)1 5480863
e: info@csconsulting.ie
w: www.csconsulting.ie

Quality
NSAI Certified
I.S. EN ISO 9001:2008
I.S. EN ISO 14001:2004
I.S. EN ISO 50001:2011
OHSAS 18001:2007